



Job Name: _____

Job Location: _____

Contractor: _____

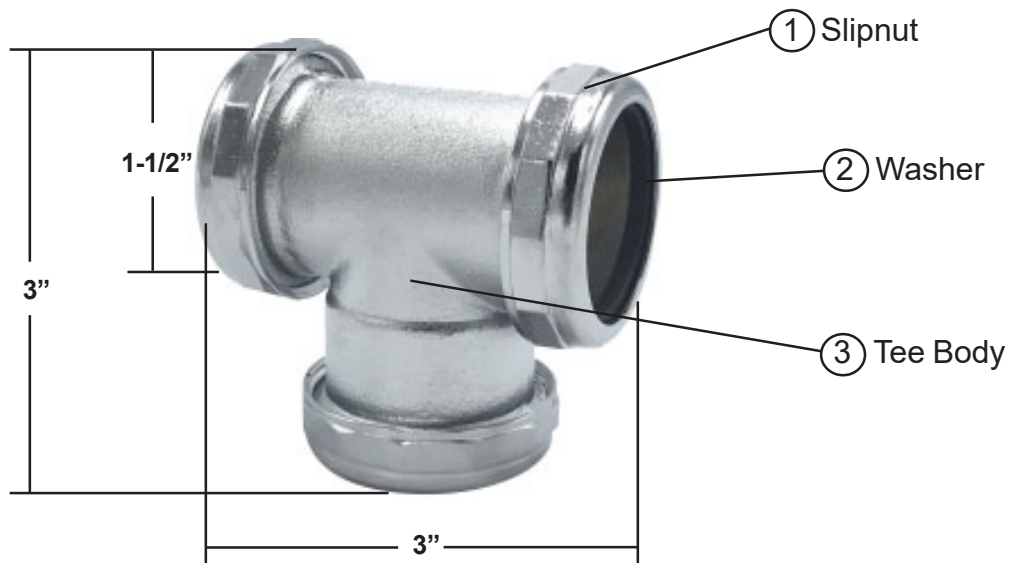
Engineer: _____

Approval: _____

Slip Tee

Design Features:

- Brass Construction
- Imported



Material Specifications		
No.	Part	Material
1	Slipnut	Plated Zinc Die-Cast
2	Washer	Rubber
3	Tee Body	Cast Brass

W-R#	Size	Finish	Weight	Min	Box
1504004	1-1/2"	Chrome-Plated	.595 lbs.	1	6
1504008	1-1/2"	Rough Brass	.560 lbs.	1	6