



Job Name: _____

Job Location: _____

Contractor: _____

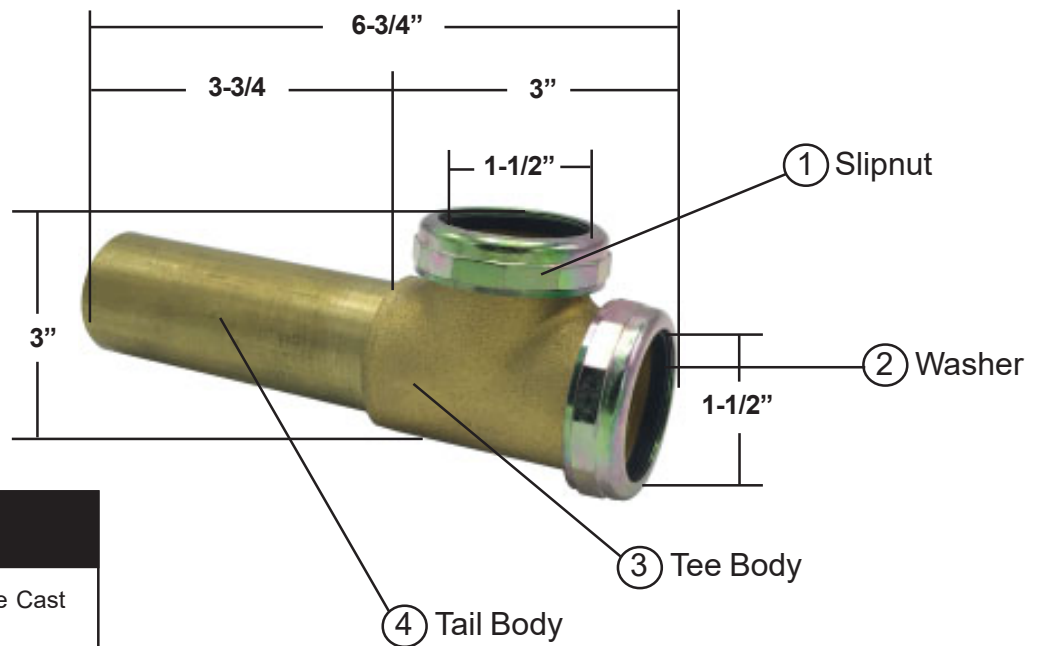
Engineer: _____

Approval: _____

Tee and Tailpiece

Design Features:

- Brass Construction
- Imported



Material Specifications		
No.	Part	Material
1	Slipnut	Plated Zinc Die Cast
2	Washer	Black Rubber
3	Tee Body	Cast Brass
4	Tail Body	Tubular Brass

W-R#	Size	Finish	Weight	Min	Box
1508002	1-1/2"	Rough Brass	.740 lbs.	1	6