



Job Name: \_\_\_\_\_

Job Location: \_\_\_\_\_

Contractor: \_\_\_\_\_

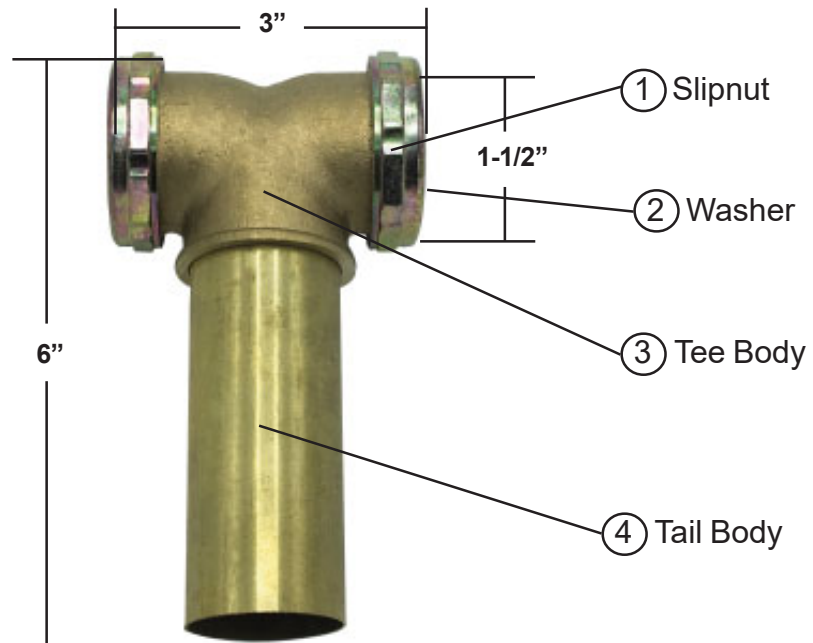
Engineer: \_\_\_\_\_

Approval: \_\_\_\_\_

## Rough Brass Twin Elbow

### Design Features:

- Brass Construction
- Imported



Material Specifications		
No.	Part	Material
1	Slipnuts	Plated Zinc Die Cast
2	Washers	Black Rubber
3	Tee Body	Cast Brass
4	Tail Body	Tubular Brass

W-R#	Size	Finish	Weight	Min	Box
1509002	1-1/2"	Rough Brass	.735 lbs.	1	6