

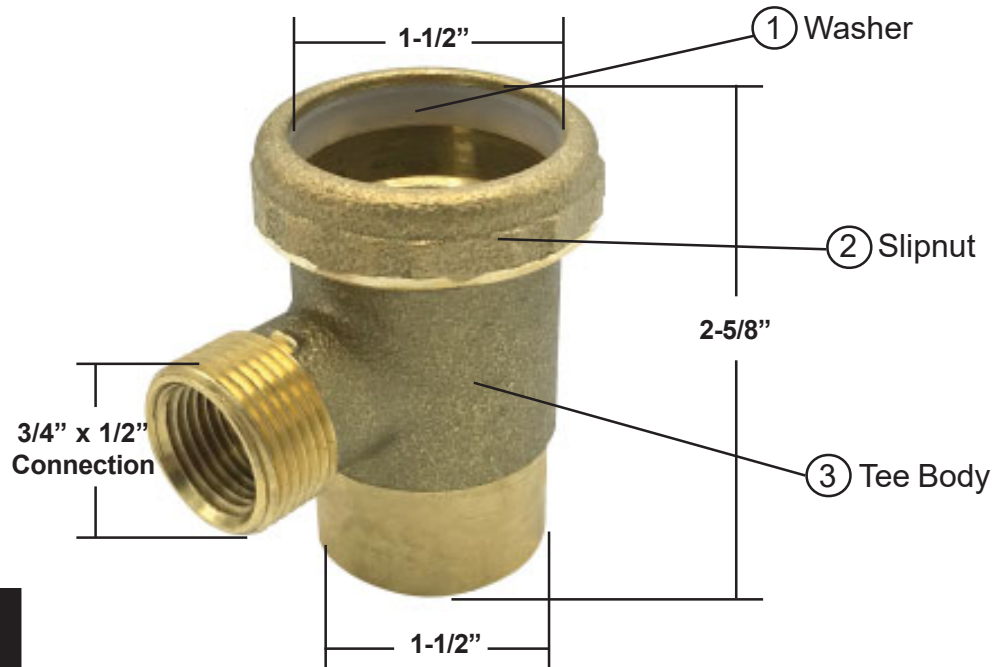


Job Name: \_\_\_\_\_  
 Job Location: \_\_\_\_\_  
 Contractor: \_\_\_\_\_  
 Engineer: \_\_\_\_\_  
 Approval: \_\_\_\_\_

# Cast Brass Washing Machine Tee -Slip JT.-

## Design Features:

- Cast Brass Construction
- Imported



Material Specifications		
No.	Part	Material
1	Washer	Nylon
2	Slip Nut	Brass
3	Tee Body	Cast Brass

W-R#	Connection Size	Weight	Min	Box
1512002	3/4" MIP x 1/2" FIP	.485 lbs.	1	10
1512004	3/4" MH x 1/2" SWT	.485 lbs.	1	10