



Job Name: \_\_\_\_\_

Job Location: \_\_\_\_\_

Contractor: \_\_\_\_\_

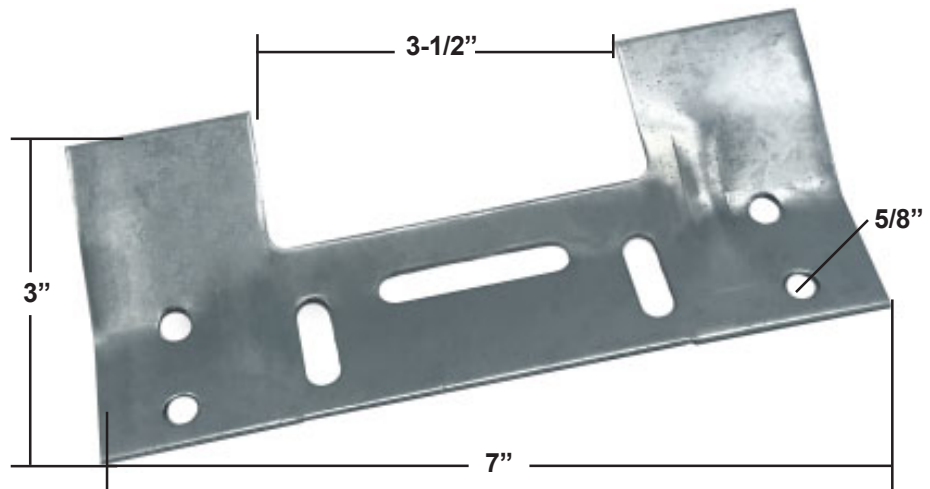
Engineer: \_\_\_\_\_

Approval: \_\_\_\_\_

## 7" Steel China Lavatory Hanger

**Design Features:**

- Steel Construction
- 13 Gauge
- Imported



Material Specifications	
Part	Material
Body	Steel

W-R#	Description	Weight	Min	Box
1648002	7" - 13 Ga.	.405 lbs.	1	12