



Job Name: _____

Job Location: _____

Contractor: _____

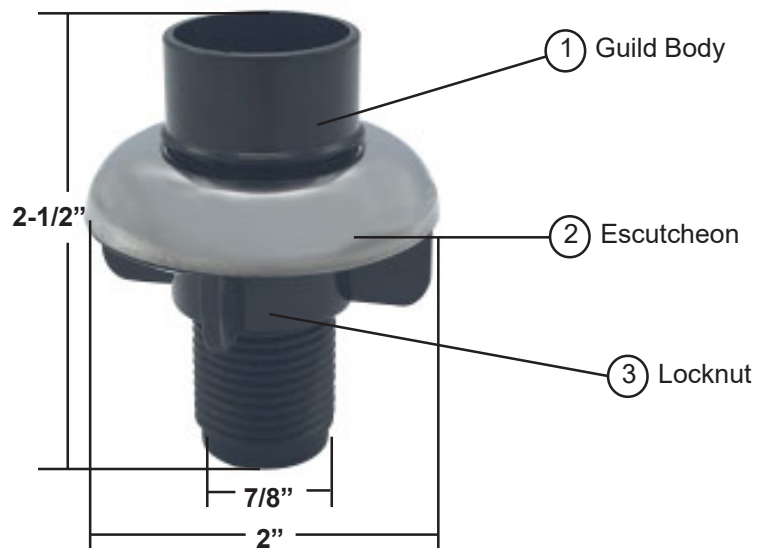
Engineer: _____

Approval: _____

“Crown-Rinse” Hose Guide

Design Features:

- Plastic Construction
- Stainless Steel Escutcheon
- Imported



Material Specifications		
No.	Part	Material
1	Guild Body	Plastic
2	Escutcheon	Stainless Steel
3	Locknut	Plastic

W-R#	Part	Color	Weight	Min	Box
1658002	Hose Guide	Black	.055 lbs.	1	12
1658004	Hose Guide	White	.055 lbs.	1	12