



Job Name: _____

Job Location: _____

Contractor: _____

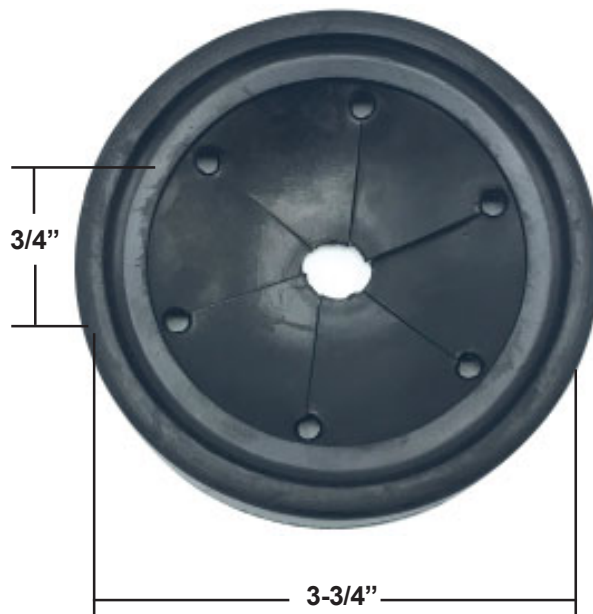
Engineer: _____

Approval: _____

Splash Guard to fit In-Sinkerator

Design Features:

- Rubber Construction



| Material Specifications | |
|-------------------------|--------------|
| Part | Material |
| Guard Body | Black Rubber |

| W-R# | Description | Weight | Min | Box |
|---------|--------------|-----------|-----|-----|
| 1679004 | Splash Guard | .110 lbs. | 1 | 6 |