



Job Name: _____

Job Location: _____

Contractor: _____

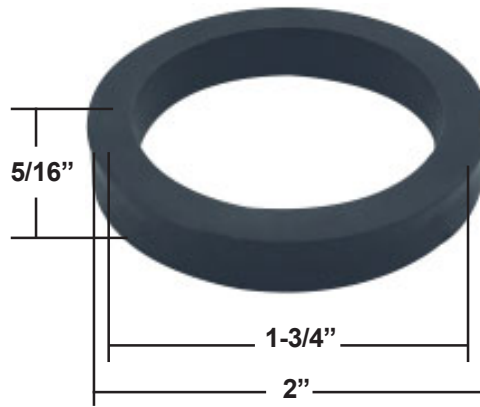
Engineer: _____

Approval: _____

Hush-Cushion to fit In-Sinkerator

Design Features:

- Rubber Construction
- Domestic



Material Specifications	
Part	Material
Cushion Body	Black Rubber

W-R#	Description	Weight	Min	Box
1679006	Hush Cushion	.015 lbs.	6	6