



Job Name: _____

Job Location: _____

Contractor: _____

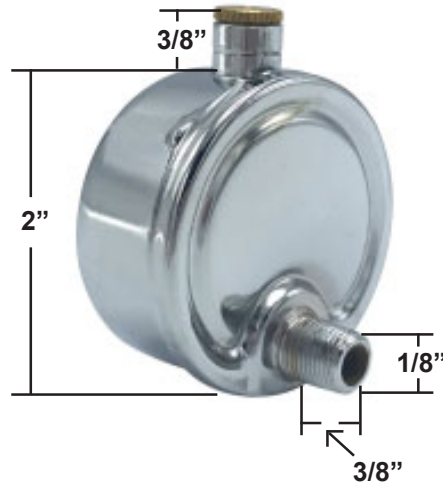
Engineer: _____

Approval: _____

Chrome-Plated Crown “Quick-Vent”

Design Features:

- Chrome-Plated Finish
- Brass Valve Stem Assembly
- 1/8” Angle
- Individually Boxed
- Imported



Material Specifications	
Part	Material
Body	CP Brass
Actuator	Non-Corrosive Bi-metal

W-R#	Fig#	Orifice	Weight	Install on Radiators Located
1700302	4AV	1.50 mm	.186 lbs.	Where thermostat is present, where they effect thermostat
1700304	5AV	2.45 mm	.184 lbs.	Near the boiler in warm rooms
1700306	6AV	3.15 mm	.197 lbs.	Farther from the boiler and in cold rooms, 2nd Floor
1700308	CAV	3.66 mm	.182 lbs.	Farthest from the boiler and in the coldest rooms, 3rd Floor
1700310	DAV	5.35 mm	.183 lbs.	Where large amount of air must be vented. (Not to be used on hand fired systems unless radiator supply valves are left on all the time)