



Job Name: _____

Job Location: _____

Contractor: _____

Engineer: _____

Approval: _____

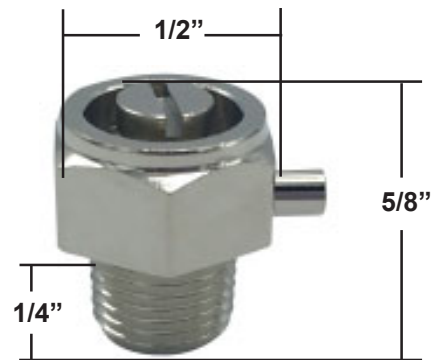
Stubby Air Valve

Design Features:

- Brass Construction
- Nickel Plated
- Pipe Threads Comply with ANSI B1.20.1
- 1/8" NPT

Operating Specification:

- 0-125 psi



W-R#	Description	Weight	Min
1701204	Nickel Plated	.030 lbs.	24