



Job Name: _____

Job Location: _____

Contractor: _____

Engineer: _____

Approval: _____

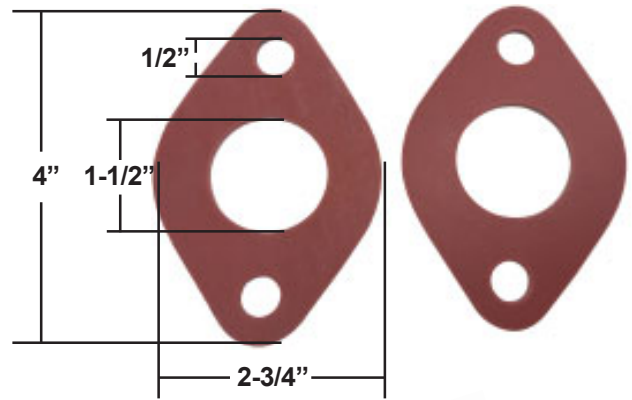
Circulator Flange Repair Kit

Kit Includes:

- Two 1/8" Thick Gasket
- Suitable for 150 lb. Flange
- Four 7/16" 14T Bolts
- Four 7/16" Hex Nuts
- Domestic

Operating Specifications:

Temperature: -20° to 170° F
Tensile Strength: 600psi
Elongation (%): 200%
Durometer: 70-80



Use: Fits B&G, Taco, and most other popular circulators.



Material Specifications	
Part	Material
1/8" Thick Gasket	Polymer: Styrene-Butadiene (Red Rubber)
7/16" 14T bolts	Steel
7/16" Hex Nuts	Steel

W-R#	Description	Weight	Order Quantity
1751004	Gasket/Nut/Bolt Kit	.503 lbs	6
1751006	Nuts/Bolts Only (4 of each)	.404 lbs.	6
1751002	Gaskets Only (1 pair)	.088 lbs.	1 pr.
A000337	Gasket Only (Bulk)	4.10 lbs.	100