



Job Name: _____

Job Location: _____

Contractor: _____

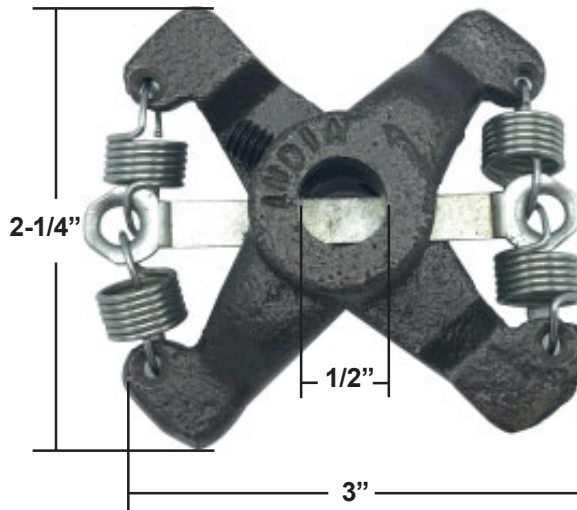
Engineer: _____

Approval: _____

Circulator Coupling for B&G

Design Features:

- Cast Iron Construction
- Shaft Diameters 1/2" x 1/2"



Material Specifications	
Part	Material
Body	Cast Iron
Spring	Steel

W-R#	Description	Ref #	Weight	Min	Box
1751010	Coupling	PZ4291	.375 lbs.	1	12