



Job Name: \_\_\_\_\_

Job Location: \_\_\_\_\_

Contractor: \_\_\_\_\_

Engineer: \_\_\_\_\_

Approval: \_\_\_\_\_

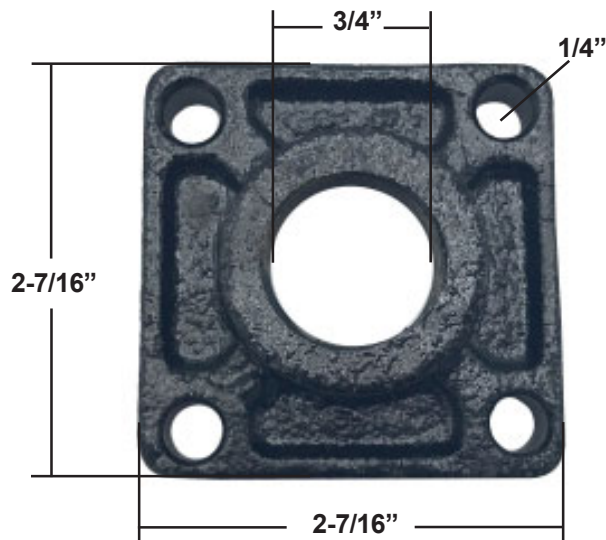
## Dirt Pocket Cap for Low-Water Cutoffs

### Design Features:

- Malleable Iron Construction
- Black Finish

### Kit Includes:

- Flange (1)
- Gasket (1)
- Hex Head Bolts (4)



Material Specifications and Dimensions		
Part	Material	Dimensions
Cap Body	Black Malleable Iron	2-7/16" x 2-7/16" x 3/4" ID
Gasket	Black Fiber	2-7/16" x 2-7/16" x 1-1/2" ID
Bolts	Steel	1/4" x 15/16"

W-R#	Description	Weight	Min	Box
1751012	3/4" Cap	.590 lbs.	1	12
1751011	Gasket Only	.0035 lbs.	1	12