



Job Name: \_\_\_\_\_

Job Location: \_\_\_\_\_

Contractor: \_\_\_\_\_

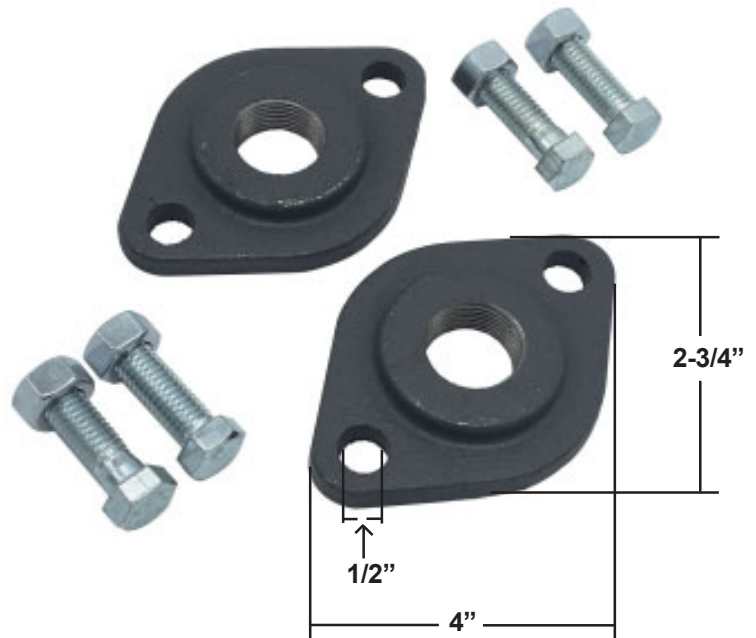
Engineer: \_\_\_\_\_

Approval: \_\_\_\_\_

## Malleable Iron Circulator Flange Kits

**Kit Includes:**

- Two Flanges
- Four 7/16" 14T Bolts
- Four 7/16" Hex Nuts



Material Specifications	
Part	Material
Flange	Malleable Iron
7/16" 14T bolts	Steel
7/16" Hex Nuts	Steel

W-R#	Size	Weight	Min
1752002	3/4"	1.76 lbs.	1 pr.
1752004	1"	1.81 lbs.	1 pr.
1752006	1-1/4"	1.71 lbs.	1 pr.