



Job Name: _____

Job Location: _____

Contractor: _____

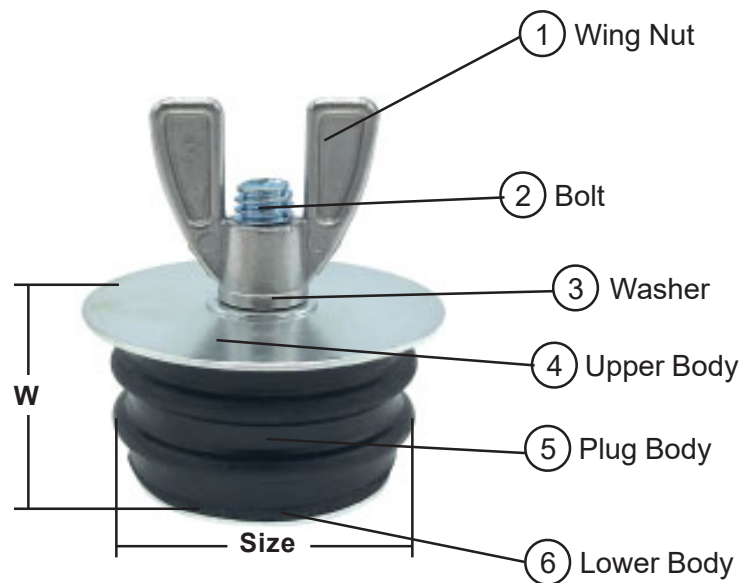
Engineer: _____

Approval: _____

Econo-Plugs

Design Features:

- Rubber Construction
- Imported



Material Specifications		
No.	Part	Material
1	Wing Nut	CP Zinc Die Cast
2	Bolt	Steel
3	Washer	Steel
4	Upper Body	Steel
5	Plug Body	Black Rubber
6	Lower Body	Steel
	Washer	Rubber

W-R#	Size	W	Weight	Min	Box
1837220	1-1/2"	1"	.104 lbs.	1	25
1837198	2"	1"	.135 lbs.	1	25
1837200	1-1/2"	1-1/2"	.270 lbs.	1	25
1837202	2"	1-1/2"	.385 lbs.	1	25
1837204	3"	1-1/2"	.520 lbs.	1	25
1837206	4"	1-1/2"	.855 lbs.	1	25