



Job Name: _____

Job Location: _____

Contractor: _____

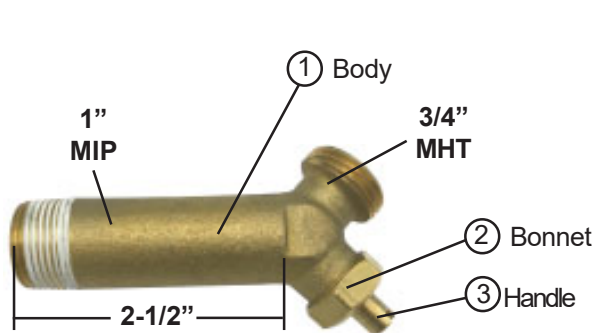
Engineer: _____

Approval: _____

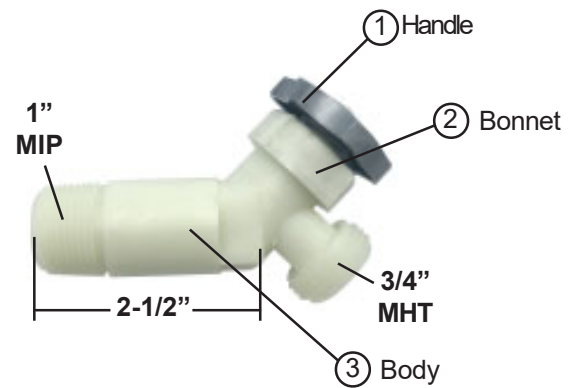
Water Heater Drain Valves

Design Features:

- Available in Brass or Plastic Construction
- Imported



1945004 Material Specifications		
No.	Part	Material
1	Handle	Not Included
2	Bonnet	Brass
3	Body	Brass
	Stem	Brass
	Seal	EPDM



1946004 Material Specifications		
No.	Part	Material
1	Handle	Grey Plastic
2	Bonnet	White Plastic
3	Body	White Plastic
	Stem	White Plastic
	Seal	EPDM

W-R#	Description	Weight
1945004	2" Brass	.459 lbs.
1946004	2" Plastic	.125 lbs.