



Job Name: _____

Job Location: _____

Contractor: _____

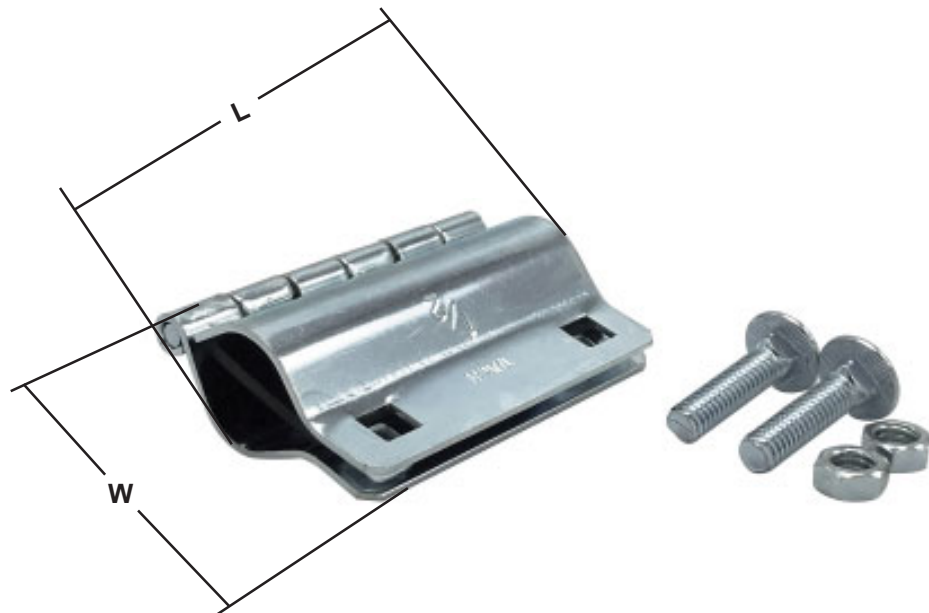
Engineer: _____

Approval: _____

Wal-Rich Hinged Steel Pipe Clamps

Design Features:

- 1/16" Steel Construction
- Zinc Dichromate Finish
- 1/8" Rubber Gasket
- Includes 2 Bolts with Nuts
- Imported



W-R#	Clamp Size	Pipe OD	Weight	Clamp Dimensions		Gasket Dimensions		Nut and Bolt Size	Bolt Length
				L	W	L	W		
2206002	1/2"	0.84"	0.456	3-1/4"	2-1/8"	3-1/8"	1-1/8"	1/4"	1-1/16"
2206006	3/4"	1.05"	0.490	3-1/4"	2-1/4"	3-1/8"	1-1/8"	1/4"	1-1/16"
2206010	1"	1.315"	0.835	4"	2-3/4"	3-7/8"	1-1/2"	5/16"	1-1/2"
2206014	1-1/4"	1.66"	0.962	4"	3-1/2"	3-7/8"	1-1/2"	5/16"	1-1/2"
2206018	1-1/2"	1.90"	1.025	4"	3-1/4"	3-7/8"	1-1/2"	5/16"	1-1/2"
2206022	2"	2.375"	1.145	4"	4-1/4"	3-7/8"	1-1/2"	5/16"	1-1/2"
2206026	2-1/2"	2.875"	1.380	4"	5"	4"	2-1/2"	5/16"	1-1/2"
2206030	3"	3.50"	1.530	4"	5-5/8"	4"	2-1/2"	5/16"	1-1/2"