



Job Name: _____

Job Location: _____

Contractor: _____

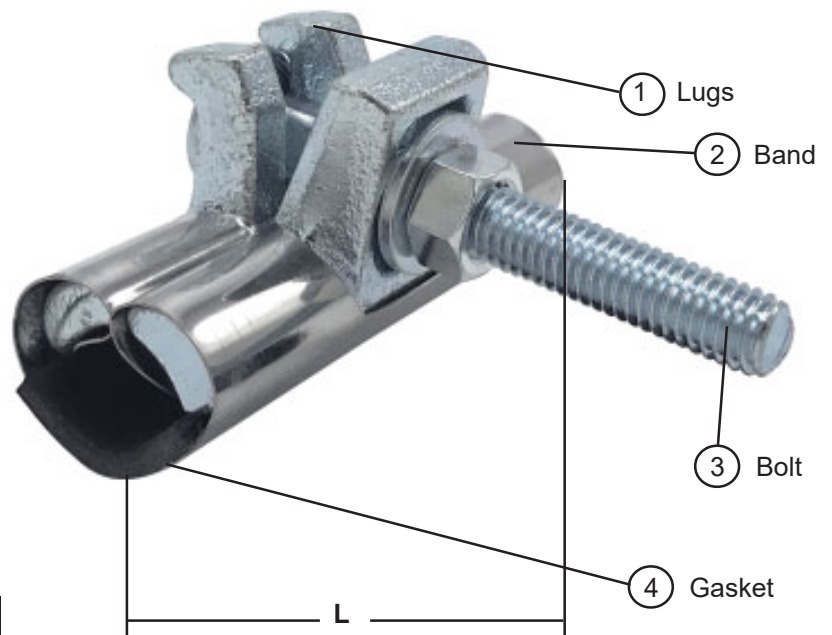
Engineer: _____

Approval: _____

Stainless Steel Wrap-Around Repair Clamps

Design Features:

- Imported



| Material Specifications | | |
|-------------------------|--------|--------------------------|
| No. | Part | Material |
| 1 | Lugs | Ductile Iron |
| 2 | Band | Stainless Steel |
| 3 | Bolts | Brass-Plated Alloy Steel |
| 4 | Gasket | EPDM |

| W-R# | Description Short | L | # of Bolts | Weight | W-R# | Description Long | L | # of Bolts | Weight |
|---------|-------------------|----|------------|-----------|---------|------------------|----|------------|------------|
| 2206102 | 3/8" | 3" | 1 | .543 lbs. | 2206202 | 3/8" | 6" | 2 | 1.082 lbs. |
| 2206104 | 1/2" | 3" | 1 | .535 lbs. | 2206204 | 1/2" | 6" | 2 | 1.055 lbs. |
| 2206106 | 3/4" | 3" | 1 | .550 lbs. | 2206206 | 3/4" | 6" | 2 | 1.085 lbs. |
| 2206108 | 1" | 3" | 1 | .595 lbs. | 2206208 | 1" | 6" | 2 | 1.150 lbs. |
| 2206110 | 1-1/4" | 3" | 1 | .615 lbs. | 2206210 | 1-1/4" | 6" | 2 | 1.210 lbs. |
| 2206112 | 1-1/2" | 3" | 1 | .640 lbs. | 2206212 | 1-1/2" | 6" | 2 | 1.275 lbs. |
| 2206114 | 2" | 3" | 1 | .650 lbs. | 2206214 | 2" | 6" | 2 | 1.330 lbs. |