



Job Name: _____

Job Location: _____

Contractor: _____

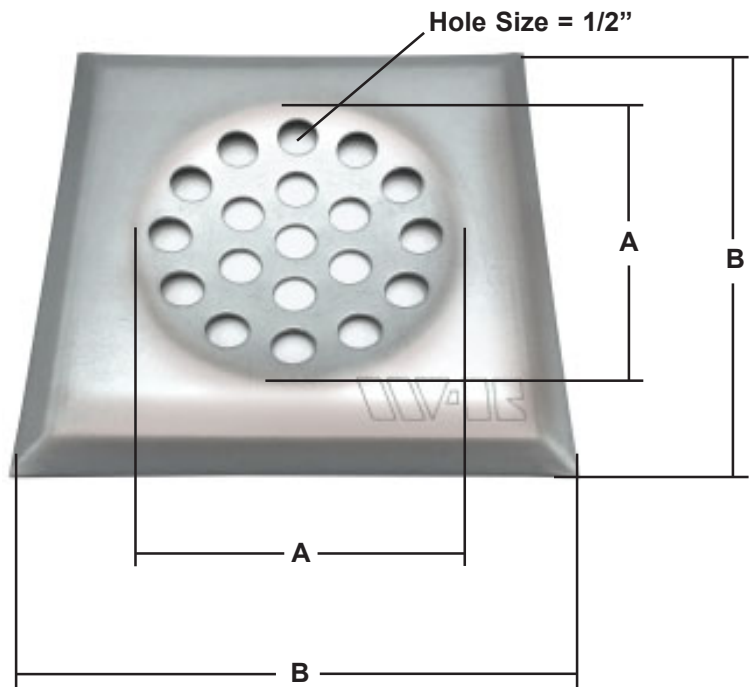
Engineer: _____

Approval: _____

Galvanized Steel Cesspool Plates

Design Features:

- Steel Constuction
- Galvanized Finish
- .075" Thick
- Imported



Material Specifications	
Part	Material
Body	Galvanized Steel

W-R#	Description	A	B	Weight	# of Holes
2210006	6" x 6"	4"	6"	.634 lbs.	19
2210008	8" x 8"	5-1/2"	8"	1.08 lbs.	39
2210010	10" x 10"	5-1/2"	10"	1.86 lbs.	39
2210012	12" x 12"	5-1/2"	12"	2.58 lbs.	39