



Job Name: \_\_\_\_\_

Job Location: \_\_\_\_\_

Contractor: \_\_\_\_\_

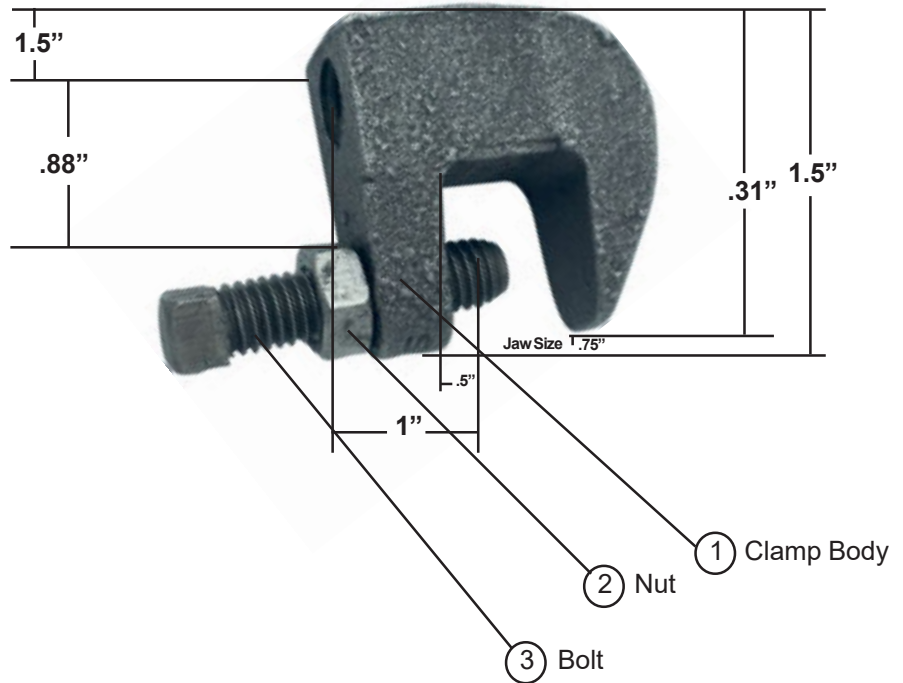
Engineer: \_\_\_\_\_

Approval: \_\_\_\_\_

## Junior Top Beam Clamps

### Design Features:

- Malleable Iron Construction
- Available in Black or Galvanized Finish
- Imported



Material Specifications		
No.	Part	Material
1	Clamp Body	Malleable Iron
2	Bolt	Malleable Iron
3	Nut	Malleable Iron

W-R#	Size	Finish	Max Rec Load	Weight	Min	Box
2410000	3/8"	Black	350 lbs.	.34 lbs.	1	100
2410002	1/2"	Black	470 lbs.	.47 lbs.	1	50
2410006	3/8"	Galvanized	350 lbs.	.34 lbs.	1	100
2410008	1/2"	Galvanized	470 lbs.	.51 lbs.	1	50