



Job Name: _____

Job Location: _____

Contractor: _____

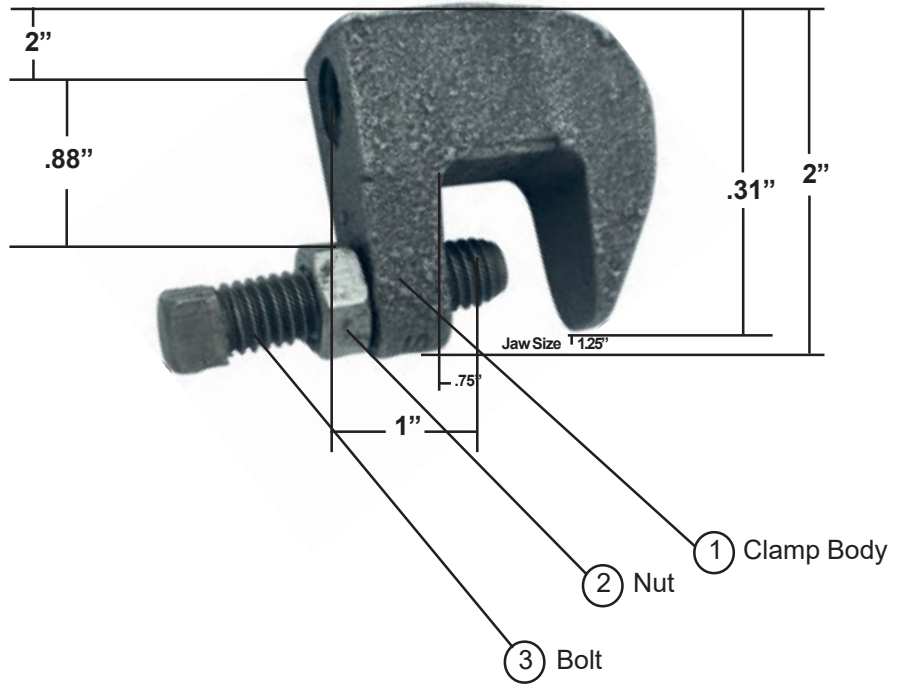
Engineer: _____

Approval: _____

“Wide Jaw” Top Beam Clamps

Design Features:

- Malleable Iron Construction
- Available in Black or Galvanized Finish
- Imported



Material Specifications		
No.	Part	Material
1	Clamp Body	Malleable Iron
2	Bolt	Malleable Iron
3	Nut	Malleable Iron

W-R#	Size	Finish	Max Rec Load	Weight	Min	Box
2410010	3/8"	Black	350 lbs.	.512 lbs.	1	100
2410016	3/8"	Galvanized	350 lbs.	.508 lbs.	1	100