



Job Name: _____

Job Location: _____

Contractor: _____

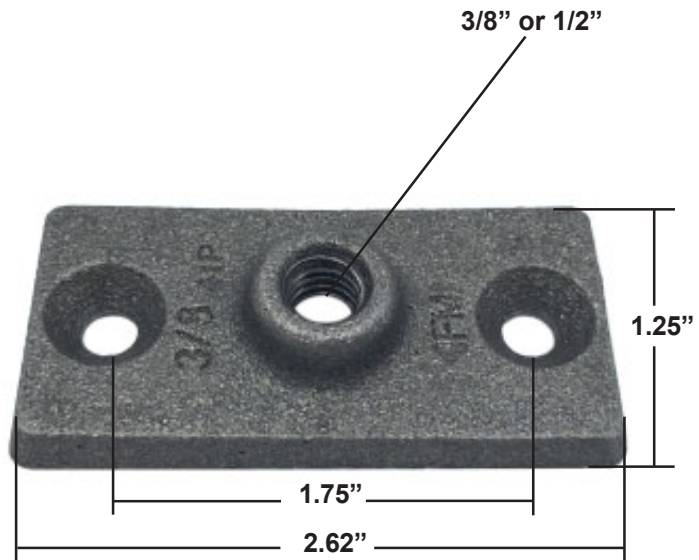
Engineer: _____

Approval: _____

Three Hole Ceiling Plates (Hanger Flange)

Design Features:

- Malleable Iron Construction
- Available in Black, Galvanized and Copper Finish
- Imported



Material Specifications	
Part	Material
Body	Malleable Iron

W-R#	Size	Finish	Max Rec Load	Weight	Min	Box
2412002	3/8"	Black	180 lbs.	.20 lbs	1	100
2412004	1/2"	Black	180 lbs.	.19 lbs.	1	50
2412008	3/8"	Galvanized	180 lbs.	.20 lbs.	1	100
2412010	1/2"	Galvanized	180 lbs.	.19 lbs.	1	50
2412012	3/8"	Copper	180 lbs.	.20 lbs.	1	100