



Job Name: _____

Job Location: _____

Contractor: _____

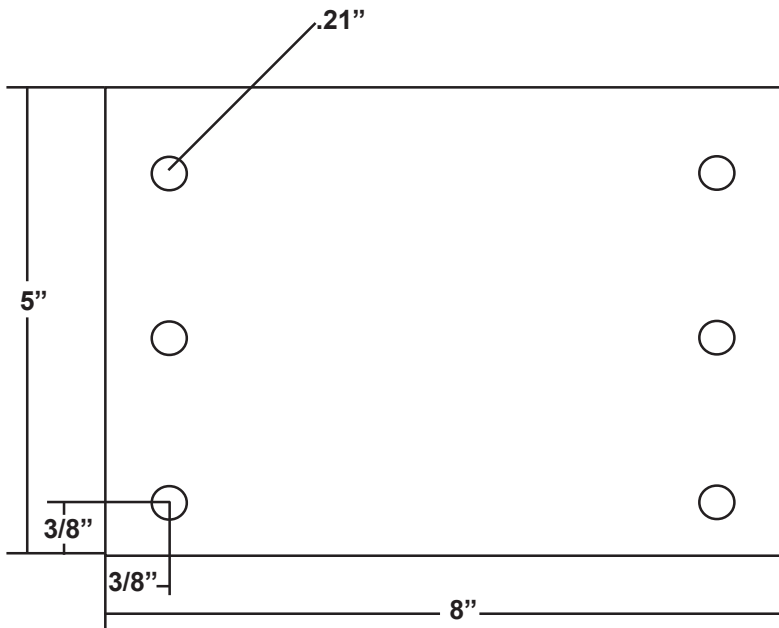
Engineer: _____

Approval: _____

16 Gauge 5" x 8" Boca Plates - 6-Hole Regular

Design Features:

- 16 Gauge
- Domestic



W-R#	Description	Weight	Min	Box
------	-------------	--------	-----	-----

2432802	6-Hole Regular	.681 lbs.	50	50
---------	----------------	-----------	----	----