



Job Name: _____

Job Location: _____

Contractor: _____

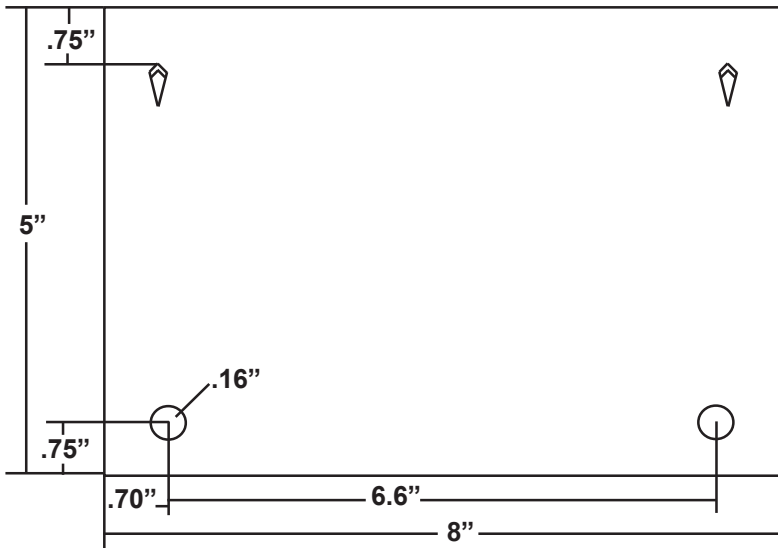
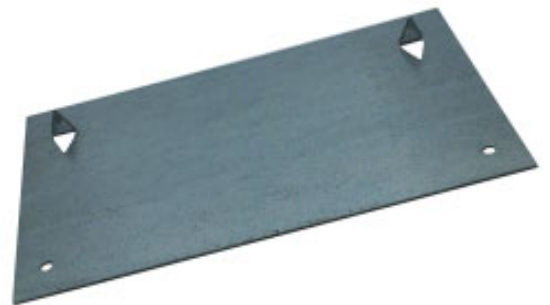
Engineer: _____

Approval: _____

16 Gauge 5" x 8" Boca Plates - Self-Nailing

Design Features:

- 16 Gauge
- Self-Nailing
- Domestic



W-R#	Description	Weight	Min	Box
------	-------------	--------	-----	-----

2432806	Self-Nailing	.697 lbs.	50	50
---------	--------------	-----------	----	----