



Job Name: _____

Job Location: _____

Contractor: _____

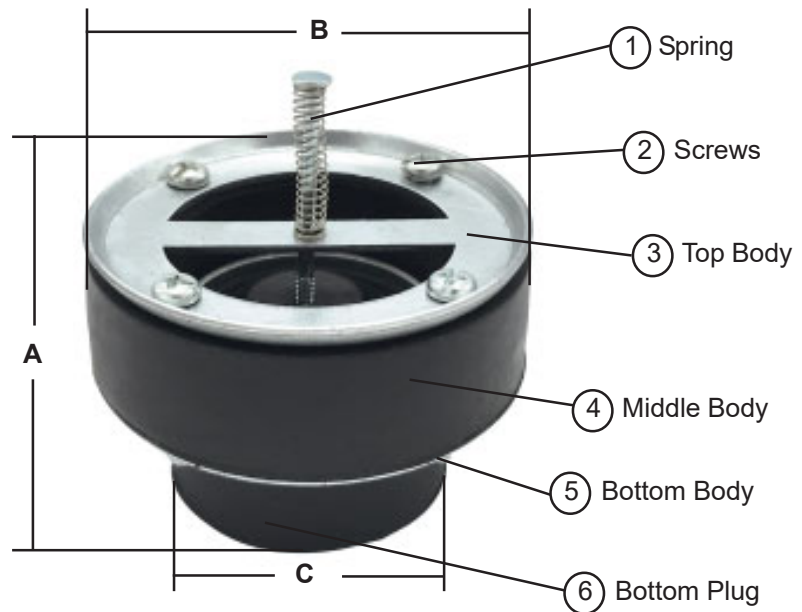
Engineer: _____

Approval: _____

Galvanized Floodstopper

Design Features:

- Galvanized Steel Construction
- Individually Boxed
- Imported



Material Specifications		
No.	Part	Material
1	Spring	Steel
2	Screws (4)	Steel
3	Top Body	Galvanized Steel
4	Middle Body	Rubber
5	Bottom Body	Galvanized Steel
6	Bottom Plug	Rubber

W-R#	Description	A	B	C	Weight	Min	Box
2535004	3" Floor Drain	2"	3"	2"	.472 lbs.	1	12
2535006	4" Floor Drain	2-1/8"	3"	2-1/2"	.895 lbs.	1	12