



Job Name: _____

Job Location: _____

Contractor: _____

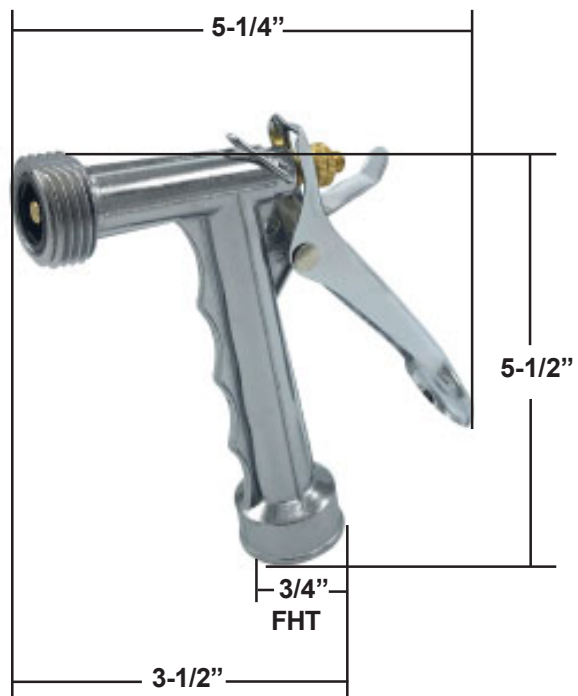
Engineer: _____

Approval: _____

Chrome-Plated Economy Pistol Grip Hose Nozzle

Design Features:

- Die-Cast Construction
- Chrome-Plated
- Self-Closing Design with Lock Clip to Keep Open
- Smooth Action Trigger Adjusts Spray from Fine Mist to Jet Stream
- Individual Display Card
- Imported



Material Specifications	
Part	Material
Body	CP Die Cast
Stem	Brass
Washer	Black Rubber
O-Ring	Black Rubber
Spring	Steel
Handle	CP Die Cast

W-R#	Description	Weight
2609002	Economy Hose Nozzle	.280 lbs.