



Job Name: \_\_\_\_\_

Job Location: \_\_\_\_\_

Contractor: \_\_\_\_\_

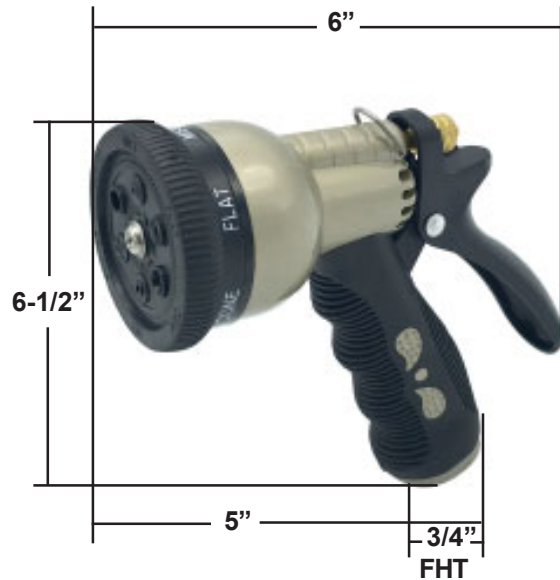
Engineer: \_\_\_\_\_

Approval: \_\_\_\_\_

## 6-Spray Pistol Grip Hose Nozzle

### Design Features:

- Tan Enamel Coating
- Black Insulated Grip
- Self-Closing Design, with Lock Clip to Keep Open
- For Hot and Cold Applications
- Adjustable Spray Pattern: Soaker, Shower, Flat, Cone, Jet, and Mist
- Individual Display Card
- Imported



Material Specifications	
Part	Material
Nozzel Head	Black ABS
Insulated Grip	Black Rubber
Inner Body	Die Cast
Stem	Brass
Washer	Black Rubber
O-Ring	Black Rubber
Spring	Steel
Handle	Black Nylon

W-R#	Description	Weight
2609502	6- Pattern Spray	.785 lbs.