



Job Name: _____

Job Location: _____

Contractor: _____

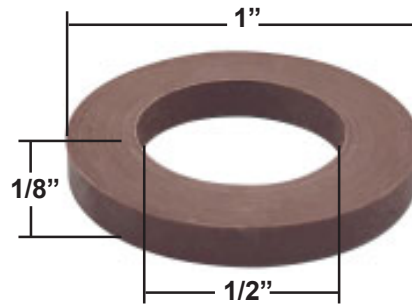
Engineer: _____

Approval: _____

Rubber Hose Washers

Design Features:

- Rubber Construction
- Imported



Material Specifications	
Part	Material
Washer Body	Rubber

W-R#	Description	Weight	Min
2724002	Bulk	.003 lbs.	100