



Job Name: _____

Job Location: _____

Contractor: _____

Engineer: _____

Approval: _____

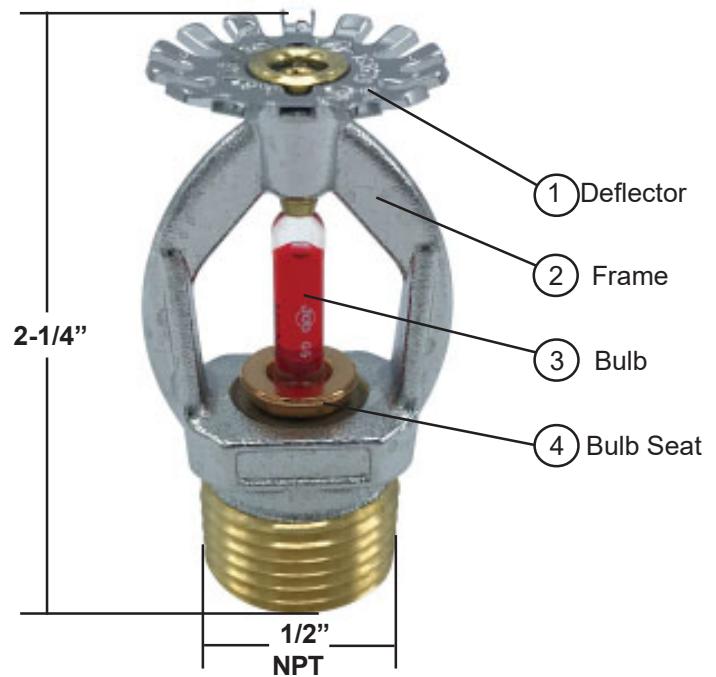
Globe® Pendent Heads - 155°

Design Features:

- 5 mm Red Bulb
- “K” Factor/Orifice Size: 5.6

Operating Specifications:

Temperature: Temperature Rating: 155° F
 Max. Low Temp. Glass Bulb: -67° F
Pressure: Water Working Pressure 175 psi
 Factory Tested Hydrostatically to 500 psi



| Material Specifications | | |
|-------------------------|-----------|------------------------------|
| No. | Part | Material |
| 1 | Deflector | Brass |
| 2 | Frame | Bronze |
| 3 | Bulb | Glass with Glycerin Solution |
| 4 | Bulb Seat | Copper |
| | Screw | Brass |
| | Spring | Nickel Alloy |
| | Seal | Teflon |



| W-R# | Globe# | Finish | Weight |
|---------|--------|---------------|------------|
| 2870002 | GL5651 | Chrome-Plated | .1590 lbs. |
| 2870004 | GL5651 | Rough Brass | .1550 lbs. |