



Job Name: _____

Job Location: _____

Contractor: _____

Engineer: _____

Approval: _____

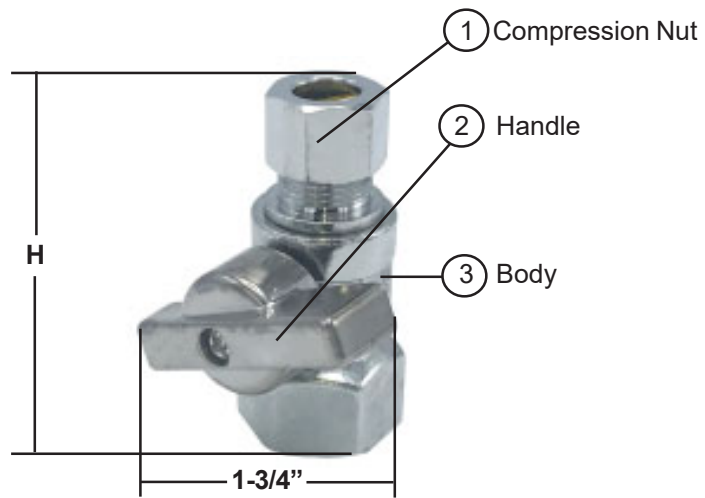
Chrome-Plated Quarter-Turn Stops - Straight

Design Features:

- Lead Free* Brass
- Chrome Finish
- 1/4 Turn Ball Shut-Off
- Imported

Operating Specifications:

Temperature: 40-160° F
Pressure: 125 psi Max



*The wetted surface of this product contacted by consumable water contains less than one quarter of a percent (.25%) of lead by weight.



Meets AB1953/NSF61G Standard

Internal Material Specifications	
Part	Material
Upper O-ring	EPDM
Lower O-ring	EPDM
Sleeve	Brass
Handle Screw	Carbon Steel
Stem	Brass
Ball	CP Brass

External Material Specifications		
No.	Part	Material
1	Compression Nut	CP Brass
2	Handle	Zamac
3	Valve Body	CP Brass

W-R#	Size	Weight	H	Min	Box
4220013	3/8" OD x 1/2" IPS	.266 lbs.	2-1/4"	1	12
4220015	3/8" OD x 1/2" SWT	.230 lbs.	2-1/8"	1	12
4220017	3/8" OD x 5/8" OD	.282 lbs.	2-3/8"	1	12
4220019	3/8" OD x 1/2" PEX	.228 lbs.	2-3/8"	1	12