



Job Name: _____

Job Location: _____

Contractor: _____

Engineer: _____

Approval: _____

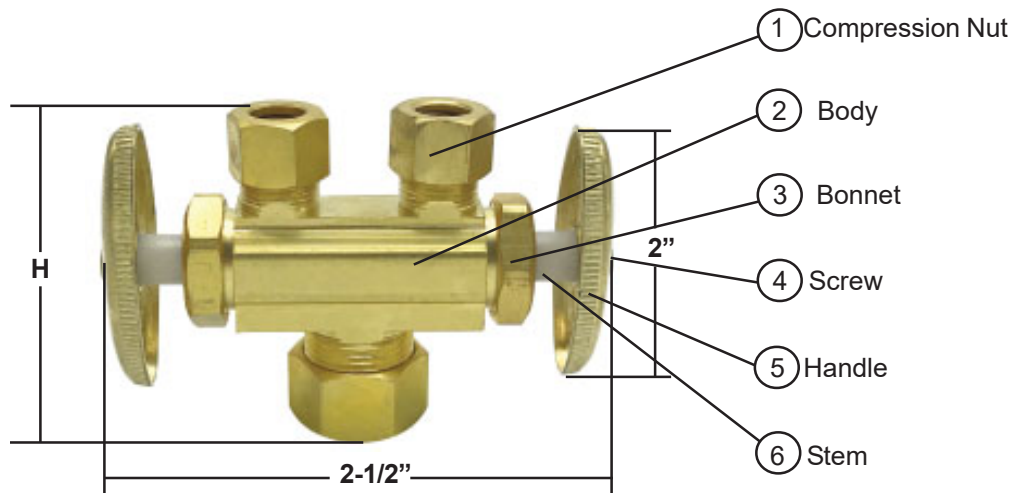
Dual Shutoff Stops

Design Features:

- Lead Free* Brass
- Rough Brass Finish
- Imported

Operating Specifications:

Temperature: 40-160° F
Pressure: 125 psi Max



*The wetted surface of this product contacted by consumable water contains less than one quarter of a percent (.25%) of lead by weight.



Meets AB1953/NSF61G Standard

Internal Material Specifications	
Part	Material
Packing	EPDM
Washer	Stainless Steel
Seat Packing	EPDM
Compression Ferrel	Brass

External Material Specifications		
No.	Part	Material
1	Compression Nut	Brass
2	Body	Brass
3	Bonnet	Brass
4	Screw	Brass
5	Handle	Zamac
6	Stem	See Below

W-R#	Inlet Size	Outlet Size	Weight	H	Stem Material
4220602	5/8" OD	3/8" OD x 3/8" OD	.403 lbs.	2-1/2"	Celcon
4220604	5/8" OD	3/8" OD x 1/4" OD	.396 lbs.	2-1/2"	Celcon
4220702	1/2" IPS	3/8" OD x 3/8" OD	.382 lbs.	2"	Celcon
4220704	1/2" IPS	3/8" OD x 1/4" OD	.382 lbs.	2"	Celcon
4220802	1/2" SWT	3/8" OD x 3/8" OD	.420 lbs.	1-7/8"	Brass
4220804	1/2" SWT	3/8" OD x 1/4" OD	.408 lbs.	1-7/8"	Brass