



Job Name: \_\_\_\_\_

Job Location: \_\_\_\_\_

Contractor: \_\_\_\_\_

Engineer: \_\_\_\_\_

Approval: \_\_\_\_\_

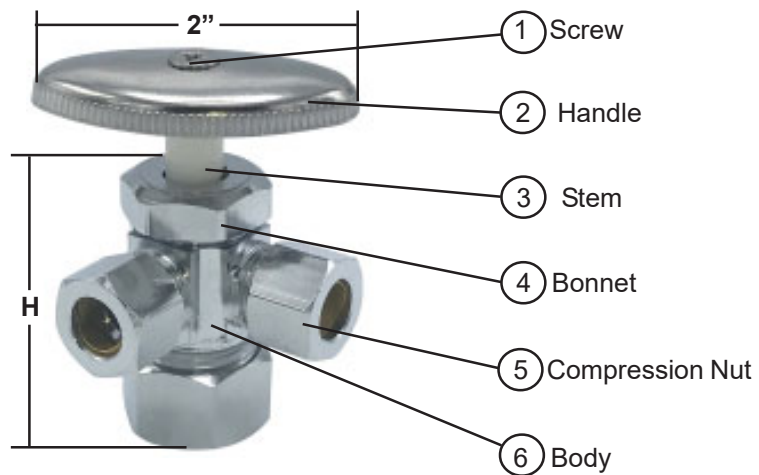
## Chrome-Plated Three Way Stops

### Design Features:

- Lead Free\* Brass
- Chrome Finish
- Imported

### Operating Specifications:

**Temperature:** 40-160° F  
**Pressure:** 125 psi Max



\*The wetted surface of this product contacted by consumable water contains less than one quarter of a percent (.25%) of lead by weight.



Meets AB1953/NSF61G Standard

Internal Material Specifications	
Part	Material
Packing	EPDM
Washer	Stainless Steel
Seat Packing	EPDM
Sleeve	Brass

External Material Specifications		
No.	Part	Material
1	Screw	CP Brass
2	Handle	Zamac
3	Stem	Celcon
4	Bonnet	CP Brass
5	Comp. Nut	CP Brass
6	Body	CP Brass

W-R#	Inlet	Outlet	Weight	H	Min	Box
4221002	5/8" OD	3/8" OD x 3/8" OD	.246 lbs.	1-1/2"	1	12
4221008	5/8" OD	3/8" OD x 1/4" OD	.240 lbs.	1-3/4"	1	12
4221010	1/2" IPS	3/8" OD x 3/8" OD	.246 lbs.	1-3/8"	1	12
4221012	1/2" IPS	3/8" OD x 1/4" OD	.241 lbs.	1-3/8"	1	12