



Job Name: \_\_\_\_\_  
 Job Location: \_\_\_\_\_  
 Contractor: \_\_\_\_\_  
 Engineer: \_\_\_\_\_  
 Approval: \_\_\_\_\_

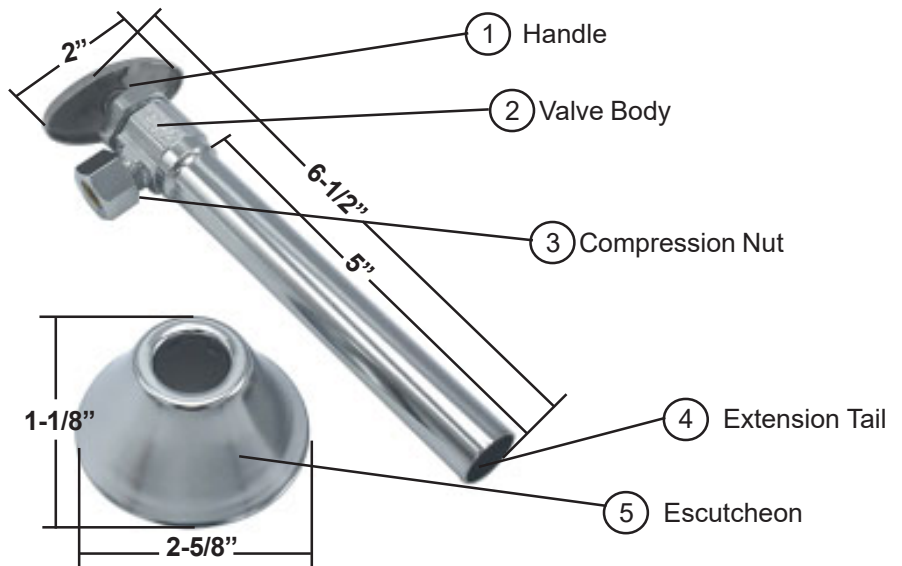
# Chrome-Plated 5" Extension Compression Stop

### Design Features:

- Lead Free\* Brass
- Chrome Finish
- Imported

### Operating Specifications:

**Temperature:** 40-160° F  
**Pressure:** 125 psi Max



\*The wetted surface of this product contacted by consumable water contains less than one quarter of a percent (.25%) of lead by weight.



Meets AB1953/NSF61G Standard

Internal Material Specifications	
Part	Material
Packing	EPDM
Washer	Stainless Steel
Seat Packing	EPDM
Sleeve	Brass
Screw	CP Brass
Stem	CP Brass

External Material Specifications		
No.	Part	Material
1	Handle	Zamac
2	Valve Body	CP Brass
3	Comp. Nut	CP Brass
4	Extension Tail	CP Brass
5	Escutcheon	CP Steel

W-R#	Size	Weight	Min	Box
4222002	3/8" OD x 1/2" SWT - Angle	.323 lbs.	1	12
4222004	3/8" OD x 1/2" SWT - Straight	.380 lbs.	1	12