



Job Name: _____

Job Location: _____

Contractor: _____

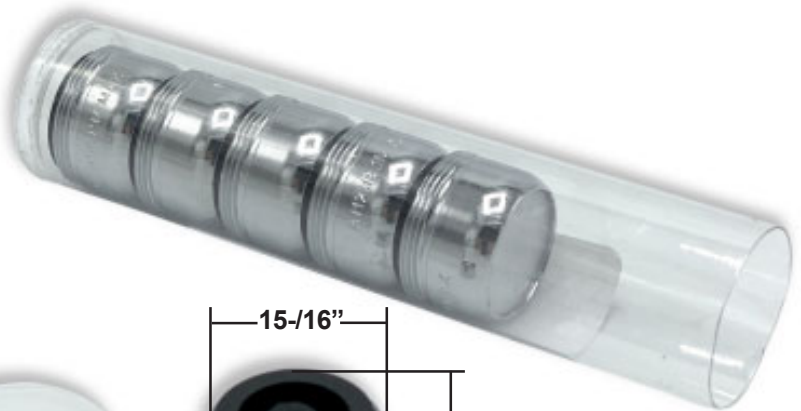
Engineer: _____

Approval: _____

Dual-Thread Low-Flow Aerators

Design Features:

- Lead Free* Brass Housing
- Chrome Finish
- Dual Thread
- 15/16" - 27T - Male
- 55/64" - 27T - Female
- Imported



*The wetted surface of this product contacted by consumable water contains less than one quarter of a percent (.25%) of lead by weight.

Material Specifications	
Part	Material
Body	CP Brass
Flow Restrictor	Nylon
Washer	Rubber

LF Meets AB1953/NSF61G Standard
 Meets CSA B125 Standard
 Meets ASME A112.18.1M Standard

W-R#	Max Flow Rate at 60 psi	Description	Tube Weight	Aerators per Tube
4301030	0.5 GPM	Nylon	.1900 lbs.	6
4301032	1.0 GPM	Nylon	.1850 lbs.	6
4301034	1.5 GPM	CP Brass	.1610 lbs.	6

W-R#	Max Flow Rate at 60 psi	Description	Single Item Weight	Bulk Order
4309500	0.5 GPM	Nylon	.0321 lbs.	25
4309400	1.0 GPM	Nylon	.0280 lbs.	25
4309000	1.5 GPM	CP Brass	.0240 lbs.	25