



Job Name: _____

Job Location: _____

Contractor: _____

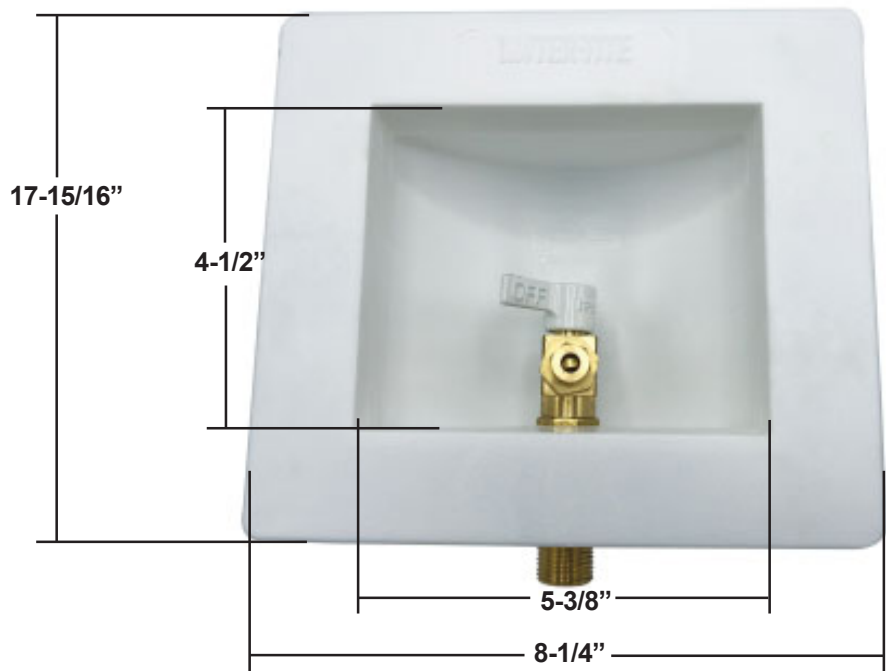
Engineer: _____

Approval: _____

1/4 Turn Stop Ice-Maker Box

Design Features:

- IPS x SWT Connection
- 1/4 Turn Stop
- Lead Free* Brass
- Box Depth: 3-1/2"
- Domestic



*The wetted surface of this product contacted by consumable water contains less than one quarter of a percent (.25%) of lead by weight.

Material Specifications	
Part	Material
Valve Box	CP Lead Free* Brass PVC



Meets AB1953/NSF61G Standard

W-R#	Description	Weight	Min	Box
------	-------------	--------	-----	-----

4430006	1/4 Turn Stop	.928 lbs.	1	10
---------	---------------	-----------	---	----