

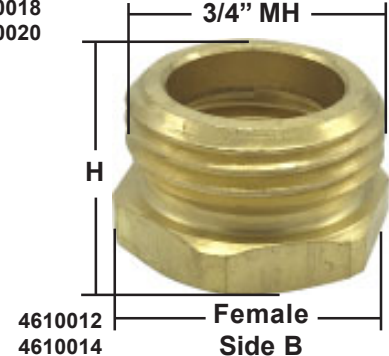
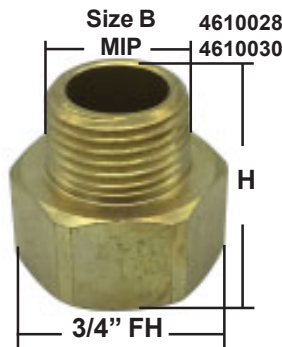
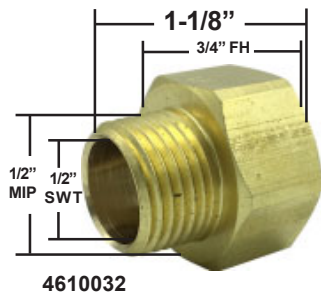
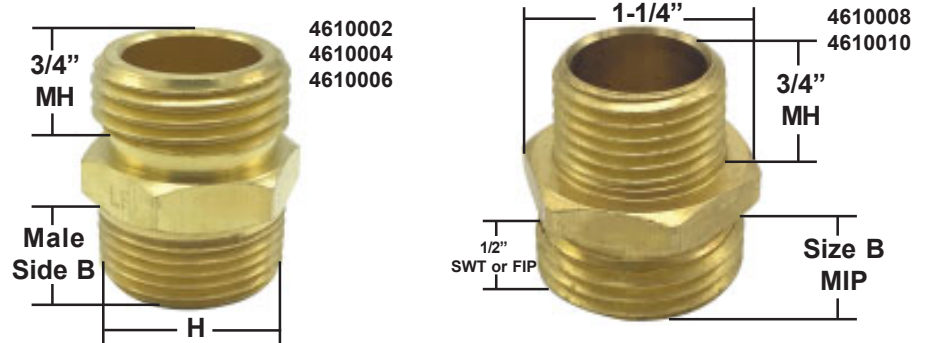


Job Name: _____
 Job Location: _____
 Contractor: _____
 Engineer: _____
 Approval: _____

Lead Free* Brass Hose Nipples

Design Features:

- Lead Free* Brass Constuction
- Iron Pipe Thread: 14 T
- Hose Thread: 12 T
- Meets AB1953/NSF61G Standard
- Imported



W-R#	Side A	Side B	Height	Weight	Bag
4610002	3/4" Male Hose	3/4" Male Iron Pipe	1-1/2"	.1279 lbs.	12
4610004	3/4" Male Hose	1/2" Male Iron Pipe	1-3/16"	.1158 lbs.	12
4610006	3/4" Male Hose	3/4" Male Hose	1-1/4"	.1321 lbs.	12
4610008	3/4" Male Hose	1/2" Male Iron Pipe x 1/2" SWT	1-1/4"	.1196 lbs.	12
4610010	3/4" Male Hose	3/4" Male Iron Pipe x 1/2" FIP	1-1/4"	.1292 lbs.	12
4610032	3/4" Female Hose	1/2" Male Iron Pipe x 1/2" SWT	1-1/8"	.0850 lbs.	12
4610028	3/4" Female Hose	1/2" Male Iron Pipe	1-1/8"	.1025 lbs.	12
4610030	3/4" Female Hose	3/4" Male Iron Pipe	1-3/16"	.1580 lbs.	12
4610012	3/4" Male Hose	3/4" Female Iron Pipe	1-1/8"	.1110 lbs.	12
4610014	3/4" Male Hose	1/2" Female Iron Pipe	7/16"	.0735 lbs.	12
4610016	3/4" Female Hose	3/4" Female Iron Pipe	1-1/8"	.1571 lbs.	12
4610018	3/4" Female Hose	1/2" Female Iron Pipe	1-1/8"	.1146 lbs.	12
4610020	3/4" Female Hose	3/4" Female Hose	1-1/16"	.0975 lbs.	12