



Job Name: _____

Job Location: _____

Contractor: _____

Engineer: _____

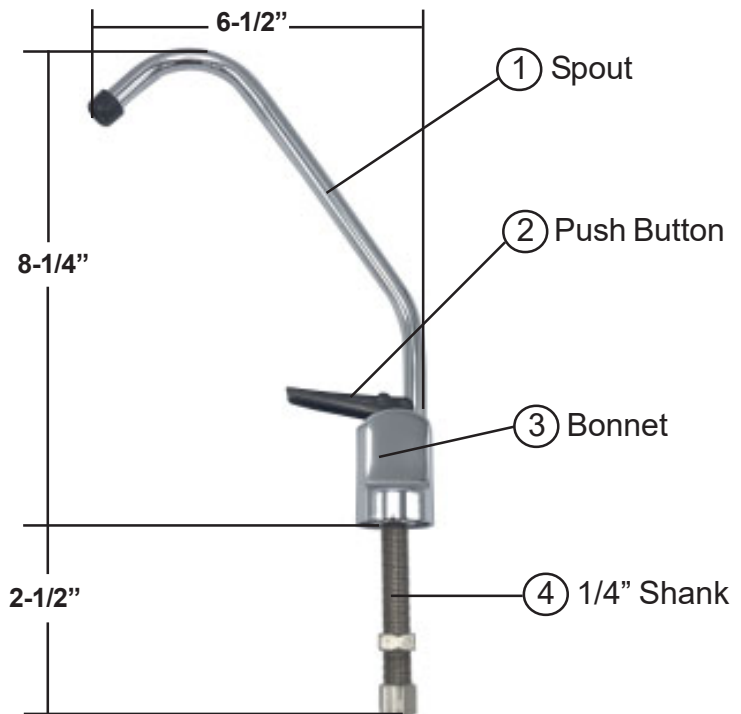
Approval: _____

Long Reach Water Filter Faucet

Design Features:

- Lead Free* Brass Construction
- Chrome-Plated
- Imported

*The wetted surface of this product contacted by consumable water contains less than one quarter of a percent (.25%) of lead by weight.



Material Specifications		
No.	Part	Material
1	Spout	CP Brass
2	Push Button	Black Plastic
3	Bonnet	CP Brass
4	1/4" Shank	CP Die Cast
	Escutcheon	CP Brass
	Washers	Rubber
	Insert Stiffener	White Plastic
	Locknut	Brass
	Coupling Nut	Brass
	Compression Nut	Brass
	Ferrule	White Plastic



Meets AB1953/NSF61G Standard

W-R#	Size	Weight	Min	Box
4708052	1/4" Connection	.737 lbs.	1	10