



Job Name: _____

Job Location: _____

Contractor: _____

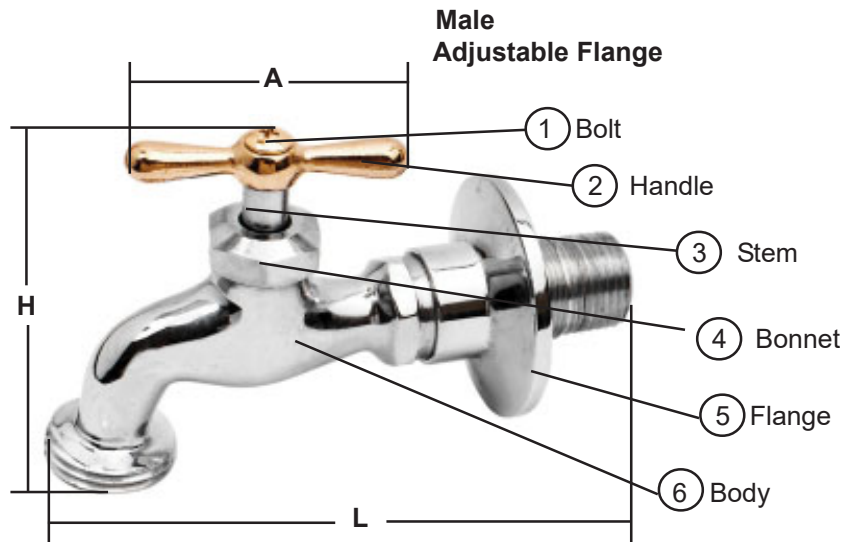
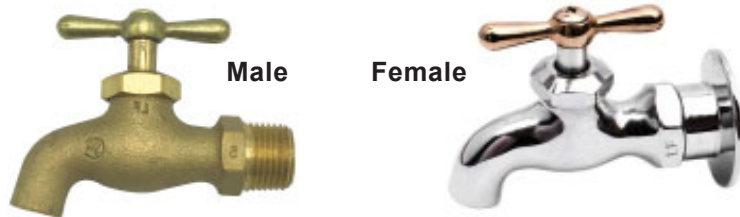
Engineer: _____

Approval: _____

Brass Hose End Bibbs

Design Features:

- Lead Free* Brass
- Available in Rough Brass or Chrome Finish
- Imported



*The wetted surface of this product contacted by consumable water contains less than one quarter of a percent (.25%) of lead by weight.

Material Specifications		
No.	Part	Material
1	Bolt	Carbon Steel
2	Handle	Zinc
3	Stem	Brass
4	Bonnet	Brass
5	Flange	Brass
6	Body	Brass
	Packing Washer	Rubber
	Seat Washer	Stainless Steel
	Seat Washer	Rubber
	Seat Screw	Brass



Meets AB1953/NSF61G Standard

W-R#	Size	Connection	Finish	Dimensions			Weight
				A	H	L	
4709002	1/2" IPS	Male	Rough Brass	2.21"	2.29"	3.35"	.373 lbs.
4709008	1/2" IPS	Male	Chrome-Plated	2.21"	2.29"	3.35"	.372 lbs.
4709009	1/2" IPS	Female	Chrome-Plated	2.19"	2.62"	3.45"	.456 lbs.
4711004	1/2" IPS - Adjustable	Male	Chrome-Plated	2.21"	2.29"	4.69"	.591 lbs.