



For absorbing concentrated pipe movement

NOTE:
See Page 2 for Style 63 ordering information

Style 63 Expansion Joints

Dresser offers the broadest line of **Style 63 Expansion Joints** including single-end (Type 1 and Type 3 shown below), and double-end (Type 2 & 4), limited-movement types, flanged, lock coupled, or weld ends. Aggressive wear and pipe wall failure caused by fatigue of the convoluted surfaces present in rubber accordion or metal bellows types is eliminated with Dresser expansion joints. There is no need for expensive pipe loop systems.

Dresser expansion joints are built to order and are available up to 120" in diameter. Provided with rugged welded steel construction, the Style 63 is available in stainless or carbon steel, monel or other alloys for special applications. Single-end expansion joints permit up to 10" of concentrated pipe movement. Larger amounts of movement are available per application.

Special packing and lubrication requirements are custom-matched to specific fluid processes or application requirements. Temperature ratings to 800°F and pressure ratings to 1200 psi.

Available with Dresser AL-CLAD™ coating for optimum protection against aggressive water conditions and for handling brine, brackish water, coke oven gas, petroleum and other line content.

Materials of Construction

Body: AISI C1006, C1010, C1015, C1025 or ASTM A513 Carbon Steel

Follower: AISI C1012, C1021, ASTM A20 or A36 Carbon Steel

Slip Pipe: Chrome plated

Tail Pipe: AISI C1006, C1010, C1015, C1025 or ASTM A513 Carbon Steel

Bolts & Nuts: ANSI/AWWA C111/ANSI A21.11

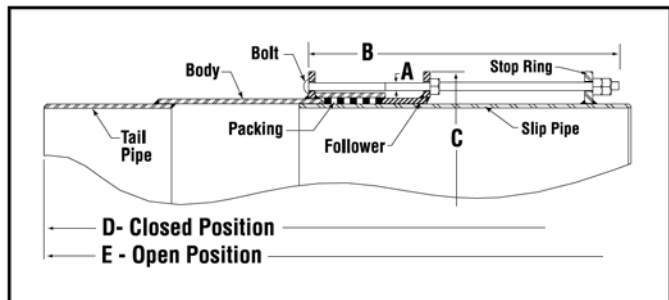
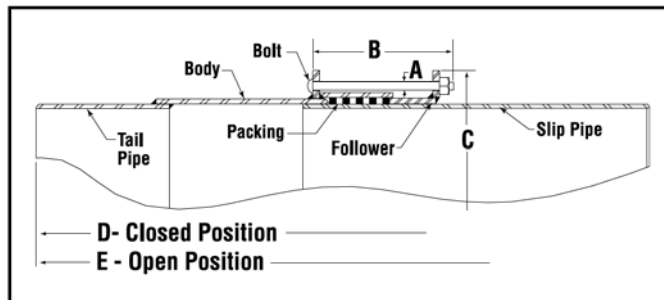
Packing: Standard packing is alternate rings of Buna-S and lubricating split jute

Style 63 Type 1 Sizes and Specifications

Pipe Nominal Size (In)	Outside Diameter (OD)	Bolts No./Diam. x Length (A&B)	Overall Dimensions		Weight Per Joint (Lbs)
			Diam. (C)	Length (D) (E)	
3	3.500	4-5/8 x 11	8-1/2	CONSULT FACTORY PER ORDER	65
4	4.500	4-5/8 x 11	9-1/2		75
5	5.563	4-5/8 x 11	10-5/8		110
6	6.625	6-5/8 x 11	11-3/4		130
8	8.625	6-5/8 x 11	13-3/4		180
10	10.750	8-5/8 x 11	15-7/8		250
12	12.750	8-5/8 x 11	17-7/8		315
	14.000	8-5/8 x 11	19-1/2		340
	16.000	10-5/8 x 11	21-1/2	380	
	18.000	10-5/8 x 11	23-1/2	415	
	20.000	12-5/8 x 11	25-1/2	470	
	22.000	14-5/8 x 11	27-1/2	525	
	24.000	14-5/8 x 11	29-1/2	565	

Style 63 Type 3 Sizes and Specifications

Pipe Nominal Size (In)	Outside Diameter (OD)	Bolts No./Diam. x Length (A&B)	Overall Dimensions		Weight Per Joint (Lbs)
			Diam. (C)	Length (D) (E)	
3	3.500	4-5/8 x 24	8-1/2	CONSULT FACTORY PER ORDER	80
4	4.500	4-5/8 x 24	9-1/2		90
5	5.563	4-5/8 x 24	10-5/8		125
6	6.625	6-5/8 x 24	11-3/4		155
8	8.625	6-5/8 x 24	13-3/4		205
10	10.750	8-5/8 x 24	15-7/8		285
12	12.750	8-5/8 x 24	17-7/8		350
	14.000	8-5/8 x 24	19-1/2		385
	16.000	10-5/8 x 24	21-1/2	430	
	18.000	10-5/8 x 24	23-1/2	470	
	20.000	12-5/8 x 24	25-1/2	530	
	22.000	14-5/8 x 24	27-1/2	590	
	24.000	14-5/8 x 24	29-1/2	635	



Type 1 is a single-end expansion joint permitting up to 10" of concentrated pipe movement. Standard packing consists of alternate layers of split resilient sealing rings and jute lubricating rings. Other packing for special conditions can be supplied.

Type 3 is a single-end expansion joint equipped with a limited movement feature to limit the maximum amount of pipe withdrawal. Slip pipes are regularly furnished for Type 3 expansion joints.

For those who may wish to draw up specifications of a general nature covering Dresser Style 38 couplings, this suggested form is offered:

1.) The pipe coupling shall be of a gasketed, sleeve-type design with diameter to properly fit the pipe. Each coupling shall consist of one (1) steel middle ring, of thickness and length specified, two (2) steel followers, two (2) rubber-compounded wedge section gaskets and sufficient track-head steel bolts to properly compress the gaskets.

The middle ring and followers of the coupling shall be true circular sections free from irregularities, flat spots or surface defects. They shall be formed from mill sections with the follower-ring section of such design as to provide confinement of the gasket. After welding, they shall be tested by cold expanding a minimum of 1% beyond the yield point. The middle ring, inside and out, and followers shall be coated with AL-CLAD™ thermosetting, fusion-bonded epoxy coating material that provides disbondment resistance in cathodically-protected systems and resistance to soil stresses and fungi. All constituents of the cured film are FDA and NSF-61 approved for exposure to fluids for human consumption and potable water.

The coupling bolts shall be of the elliptic-neck, track-head design with rolled threads. The manufacturer shall supply information as to the recommended torque to which the bolts shall be tightened. All bolt holes in the followers shall be oval for greater strength.

The coupling gaskets shall be composed of a crude or synthetic rubber base compounded with other products to produce a material that will not deteriorate from age, heat, or exposure to air under normal storage conditions. It shall also possess the quality of resilience and ability to resist cold flow of the material so that the joint will remain sealed and tight indefinitely when subjected to shock, vibration, pulsation and temperature or other adjustments of the pipeline.

2.) The couplings shall be assembled on the job in a manner to ensure permanently tight joints under all reasonable conditions of expansion, contraction, shifting and settlement, unavoidable variations in trench gradient, etc. The coupling shall be Dresser Style 38, as manufactured by Dresser Piping Specialties, Bradford, PA, and the necessary quantity shall be furnished.

When Ordering Dresser Expansion Joints

Inquiries or orders for Dresser Style 63 Expansion Joints should contain the following information:

- (1) Quantity
- (2) Type of pipe: ductile iron, steel, etc.
- (3) Style number and type
- (4) Service: Water, Industrial, etc.
- (5) Maximum working pressure
- (6) Amount of movement to be taken care of by each joint
- (7) Temperature limitations and ranges
- (8) Frequency of cycling;
- (9) End preparation of slip or tail pipe—beveled for welding, flanged, other
- (10) Remarks, unusual installations, and list support methods of line and joint

The proper type of expansion joint to use and the method of anchoring and connecting it into a line depend upon the conditions of service and type of installation, as well as other joints in the line. The most effective use of Style 63 expansion joints usually requires an engineering recommendation. For that reason, a complete description of the installation should be submitted, with sketches or working drawings, if possible. Special joints may also be made for unusual conditions.

